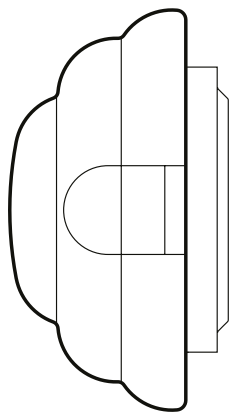


# lolimpo

Design by Big-Game



# bomma

bomma.cz

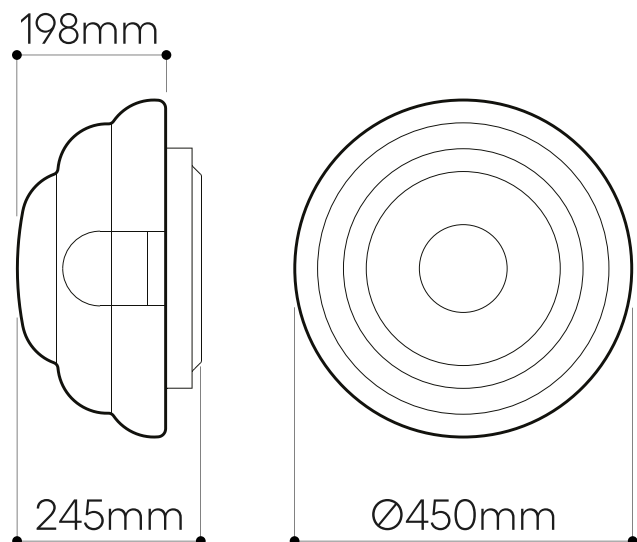
TECHNICAL SHEET

# BLIMP

## wall & ceiling lighting

Design by  
Big-Game

All Bomma products are hand-made from mouth-blown lead-free crystal. Therefore any small bubbles, non-melts and irregularities in the glass are both proof and a characteristic feature of this traditional craft.



### LIGHTING DESCRIPTION

Size	dia. 450 mm, H 245 mm dia. 17,7 inch, H 9,6 inch
Weight	7,2 kg / 15,8 lb
Material	mouth-blown lead-free crystal in clear and amber
Mounting Materials	aluminium black elox / steel with black powder coating
Mounting Colors	black
Protection	IP 20
Nominal voltage	220-230V / A.C. 50-60 hz (EU) 100-120 V / A.C. 60 Hz (USA)
Class	I. EU / I. USA

### LIGHT SOURCE

Type	LED module 24,5W, 2450lm
Base	custom LED module
Voltage	200-240V, AC 100-140V, AC
Temperature	2700 K
Color index	RA 90+
Dimming	Dimmable with TRIAC dimmers

### TRANSFORMER

Mean well, LCM 40, 100 – 240V AC,  
50 – 60 Hz, 700mA

### PACKAGING

Material	Cardboard
Size	535 × 535 × 530 mm 21 × 21 × 20,8 inch

Origin: traditionally produced in the Czech Republic  
Intellectual property license holder: Bomma Czech Republic (EU)  
represented by Bohemia Machine s.r.o.

CERTIFICATES

