

CANNA NUDA WALL-CEILING

Piero Castiglioni & Roberto Menghi

Family of pendant or wall/ceiling lighting fixtures realized with a satin nickel or burnished gold metal structure connected with a sanded glass cylinder. Available in different length and LED or halogen versions.



L50 LED/HALO

LAMPING

Source	G9
Total power	75W
Emission	diffused
Switching	dimnable, according to bulb
Tension	110/230V
Materials	Metal - Glass
Notes	LED version with kit G9 LED NEMO
Net lamp weight	1 kg

Codes

CAN HSW 41
CAN HGW 41

Structure/Diffuser

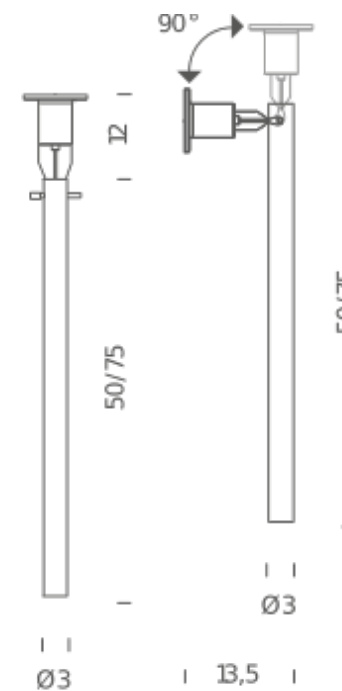
satin nikel/sanded glass
burnished gold/sanded glass

PACKAGE

Package 01

Dimension: 22x22x80 cm / Gross weight: 1,5 kg

Certificazioni



L75 LED/HALO

LAMPING

Source	G9
Total power	75W
Emission	diffused
Switching	dimnable, according to bulb
Tension	110/230V
Materials	Metal - Glass
Notes	LED version with kit G9 LED NEMO
Net lamp weight	1 kg

Codes

CAN HSW 42
CAN HGW 42

Structure/Diffuser

satin nikel/sanded glass
burnished gold/sanded glass

PACKAGE

Package 01

Dimension: 22x22x80 cm / Gross weight: 1,5 kg

Certificazioni

