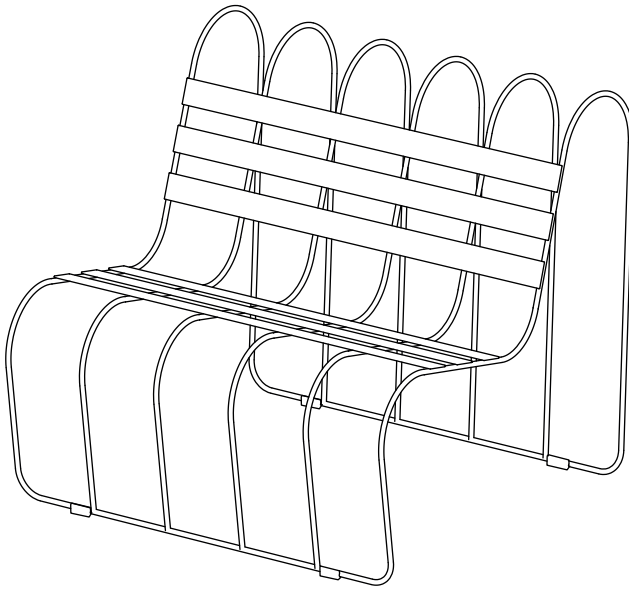
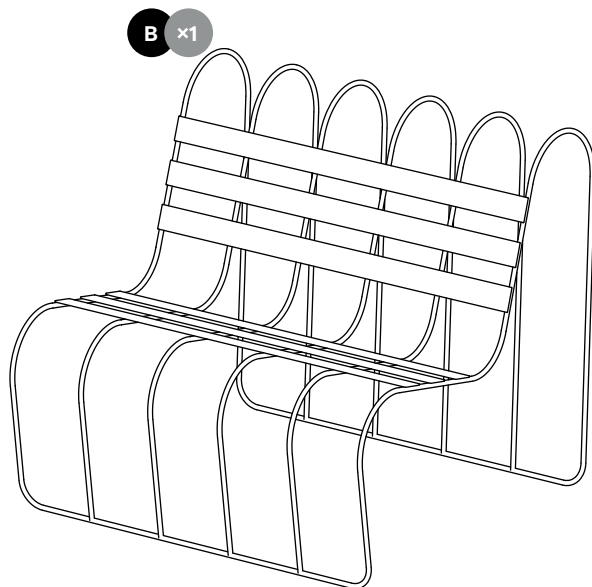
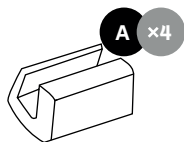


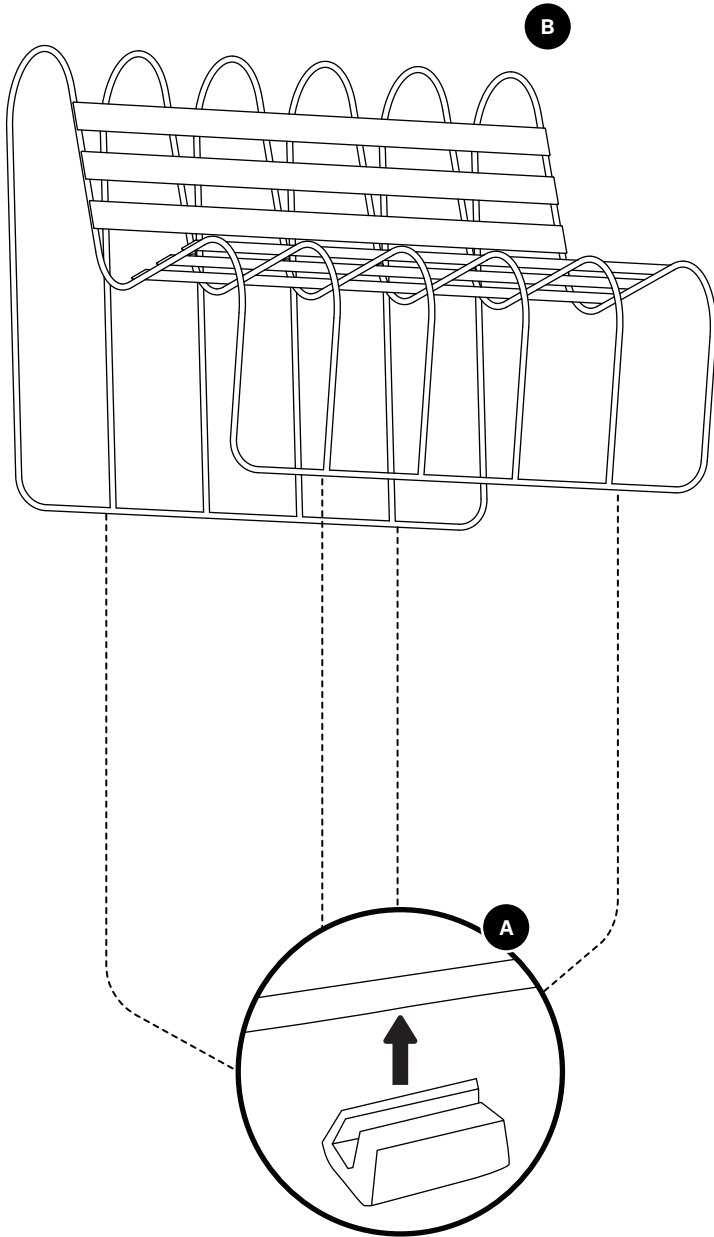
**Design House**  
*Stockholm*



**Assembly Instructions**  
**Gardener's Sofa (2868-6000).**

Components:





[designhousetockholm.com](http://designhousetockholm.com)  
[@designhousetockholm](https://www.instagram.com/designhousetockholm)