

# TUBES 2 WALL

*Charles Kalpakian*

Family of suspension, wall and ceiling lamps, made with tubular elements for objects with a strong and essential design that is expressed through pure forms.

The wall versions are in extruded aluminum rotatable and adjustable and are also available with push dimmer installed directly on the lamp (Tubes 1/2).

In the ceiling version the ceiling element rotates 340 °, while the other cylinder can be rotated by 90 °.

Available in monochrome or double finish.

Opal plexiglass diffusers.



# TRIAC

## LAMPING

Source	LED board
Total power	2x4,2W
Emission	double orientable, spot
Switching	dimmable TRIAC
Tension	230V
Color temperature	2700K
Luminous flux	374lm
Typ CRI	80
Energy class	A+
Materials	aluminium
Notes	orientable on three axes, also available in 120V. Suggested dimmer: TECNEL TE7636 (dimming range: from ~45% to 100%). Grey white RAL 9002
Net lamp weight	0,35 kg

## Codes

TTB LWW 32  
TTB LWC 32  
TTB LNN 32

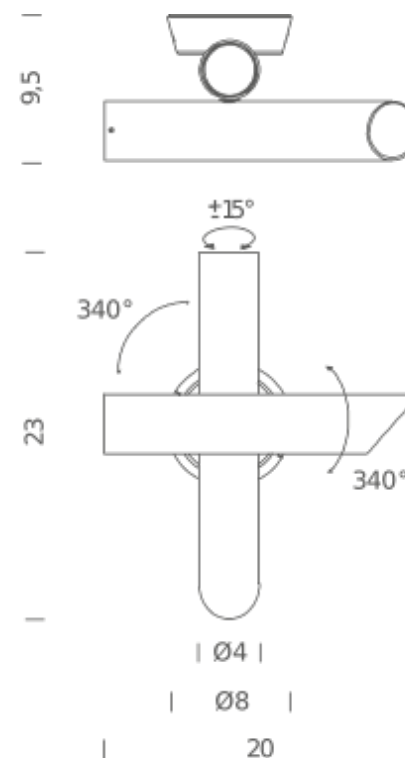
## Structure

grey white/grey white  
grey white/copper  
black/black

## PACKAGE

Package 01 Dimension: 14x31x11 cm / Gross weight: 0,47 kg

## Certificazioni



## PUSH ON BOARD

### LAMPING

Source	LED board
Total power	2x4,2W
Emission	double orientable, spot
Switching	dimmable push on board
Tension	230V
Color temperature	2700K
Luminous flux	374lm
Typ CRI	80
Energy class	A+
Materials	aluminium
Notes	orientable on three axes, also available in 120V. Grey white RAL 9002

### Codes

TTB LWW 33  
TTB LWC 33  
TTB LNN 33

### Structure

grey white/grey white  
grey white/copper  
black/black

### PACKAGE

Package 01 Dimension: 14x31x11 cm / Gross weight: 0,47 kg

### Certificazioni

